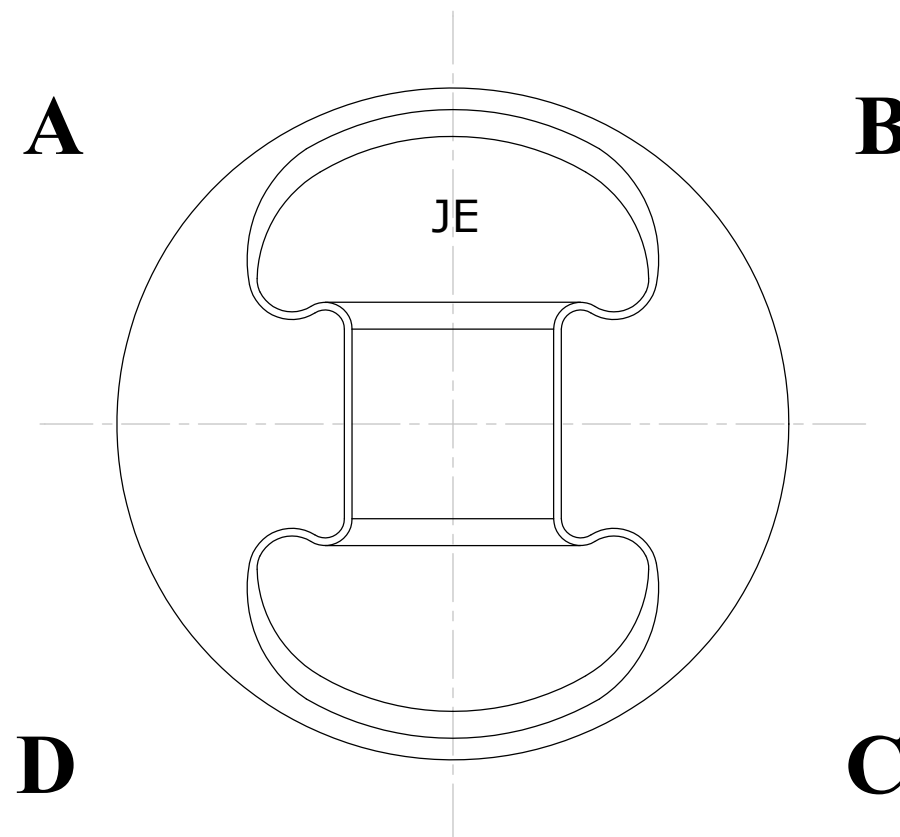
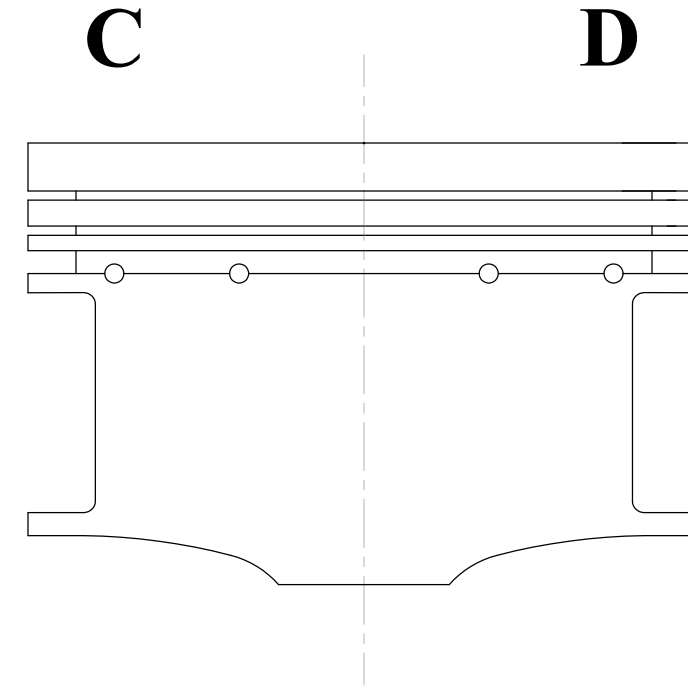
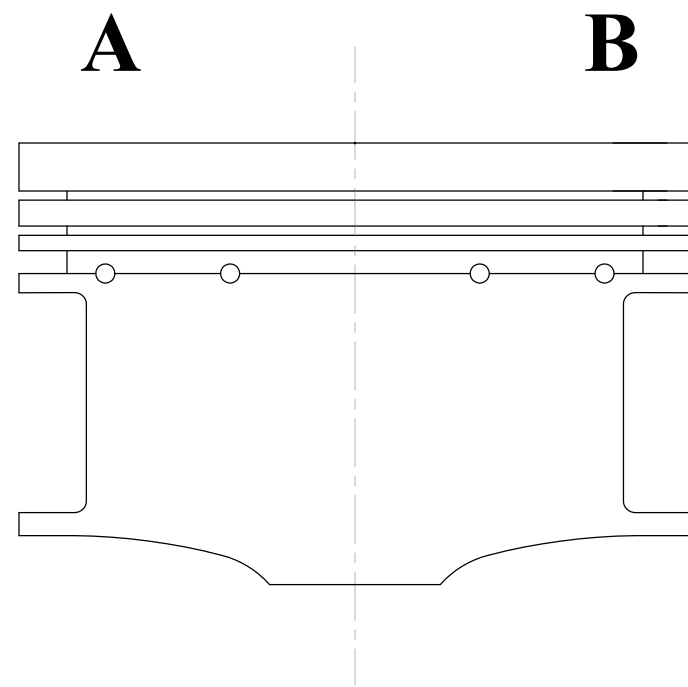


EXHAUST SIDE

INTAKE SIDE



OIL SQUIRTER NOTCH DRAWING

PO NUMBER:

15312 CONNECTOR LANE

CUSTOMER:

SALESMAN:

HUNTINGTON BEACH, CA 92649

ACCOUNT NUMBER:

DATE:

PHONE: (714) 898-9763

NOTE: ALL DRAWINGS MUST BE ACCOMPANIED WITH A CUSTOM PISTON ORDER FORM

FAX: (714) 893-8297

