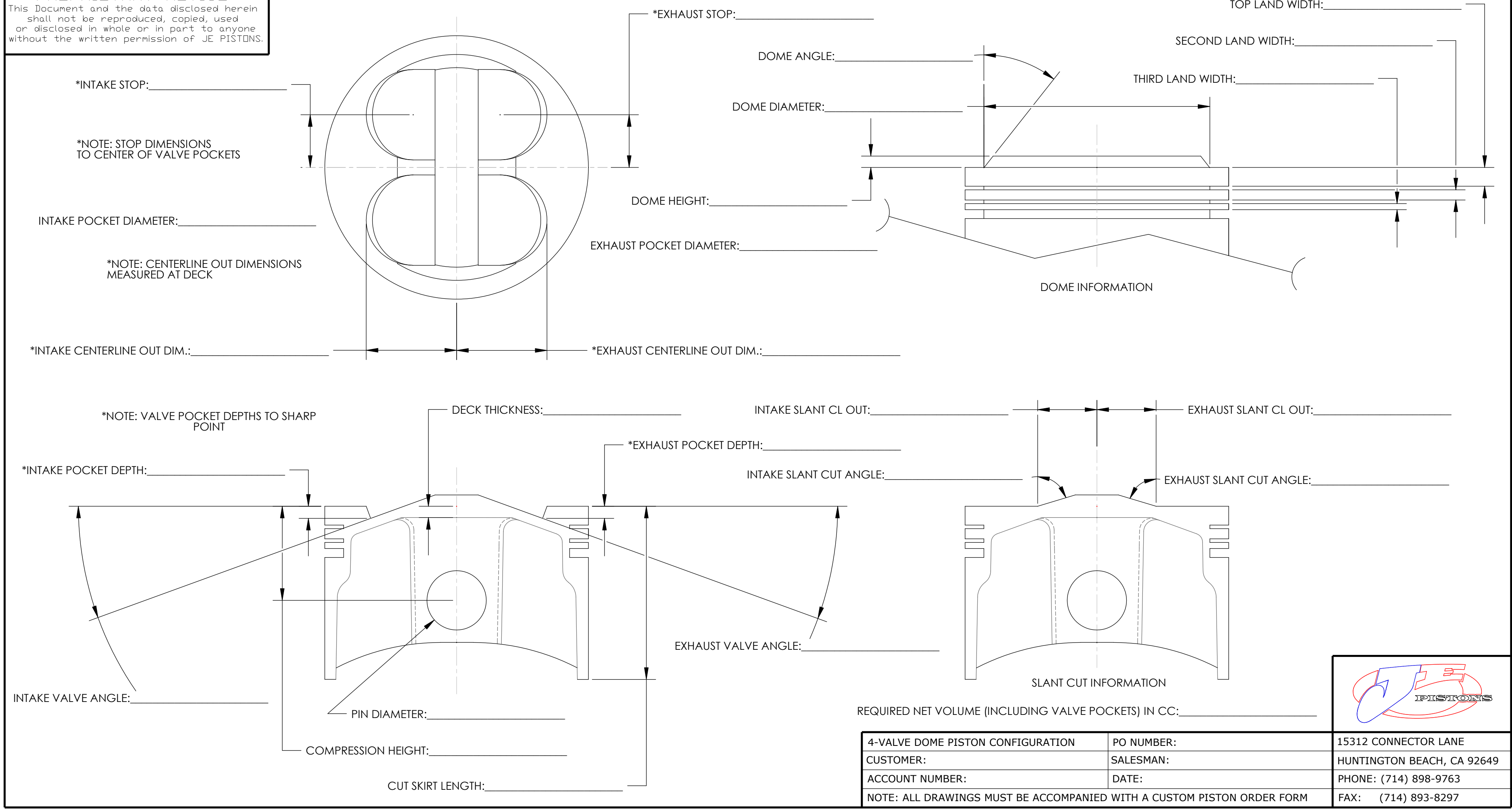
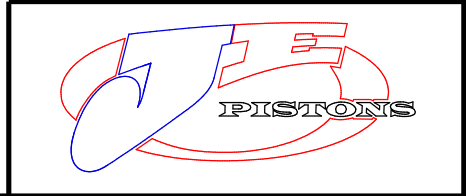


PROPRIETARY NOTICE

This Document and the data disclosed herein shall not be reproduced, copied, used or disclosed in whole or in part to anyone without the written permission of JE PISTONS.



REQUIRED NET VOLUME (INCLUDING VALVE POCKETS) IN CC: _____



| | | |
|--|------------|----------------------------|
| 4-VALVE DOME PISTON CONFIGURATION | PO NUMBER: | 15312 CONNECTOR LANE |
| CUSTOMER: | SALESMAN: | HUNTINGTON BEACH, CA 92649 |
| ACCOUNT NUMBER: | DATE: | PHONE: (714) 898-9763 |
| NOTE: ALL DRAWINGS MUST BE ACCOMPANIED WITH A CUSTOM PISTON ORDER FORM | | FAX: (714) 893-8297 |